

## Electric strike 9334\_v10

### Product description

Compact, functional design, modern environment-neutral design in aluminium. Surface of the counter plate with 6 mm adjustment facility.

### Overview of Advantages

- Can be mounted DIN right or left by turning over 180°

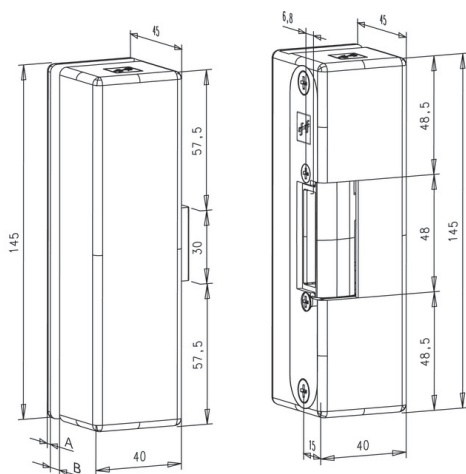
### Scope of delivery

- 1 electric strike, including housing

### Technical data

Handing	Universal
potential	12 V DC
Fail-unlocked	Yes
Rated operating voltage tolerance range	± 1 V
Rated resistance	62 Ohm
Current consumption DC (50% Residual ripple)	185 mA
Current consumption DC (stabilised)	195 mA
Glas door thickness	10 mm
Break-in resistance	6500 N
Height	145 mm
Depth	40 mm
Max. keeper pre-load DC (50% residual ripple)	10 N
Width	45 mm
Operating temperature range	-15 °C to +40 °C
Installation position	Vertical and horizontal
DIN-direction	universal

Article number 9334VGL10---E91



### Glasstärke

	8	9	10	11	12	13	15
A	5	4,5	4	3,5	3	2,5	2
B	8,1	9,1	10,1	11,1	12,1	13,1	15,1