

Rosengrens Capella

Burglary and fire protection of your valuables



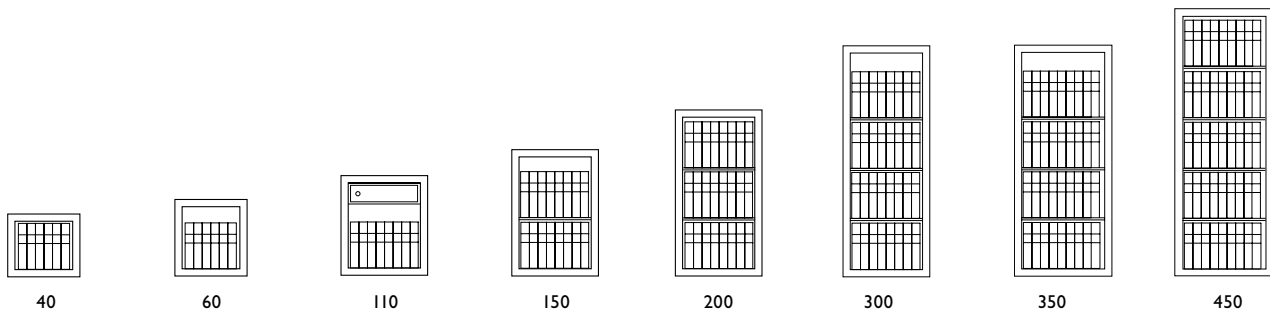
Rosengrens Capella safes are built using an innovative barrier material which significantly reduces the total weight of the safe but still provides approved burglary and fire protection. Capella's minimised weight means that the cost of transportation and installation is cut considerably and the installation process is much quicker. The safes are available in eight sizes, from 40 to 450 litres, and can be equipped with a range of high-quality interior fittings to maximise storage. Capella is also available with an insert for one hour's fire protection of sensitive data media.

Rosengrens Capella

Burglary and fire protection of your valuables



RSGB.1067.R2




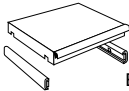
Product data


Model	External dimensions (mm)			Internal dimensions (mm)			Weight (kg)	Volume (litres)
	Height	Width	Depth*	Height	Width	Depth		
40	435	500	456	335	400	295	90	40
60	530	500	528	430	400	360	115	62
110	690	600	561	590	500	386	161	114
150	875	600	561	775	500	386	196	150
200	1150	600	561	1050	500	386	243	203
300	1600	600	561	1500	500	386	322	290
350	1600	675	585	1500	575	410	352	354
450	1850	675	616	1750	575	440	415	443


* Dimensions exclude 61mm for handle.

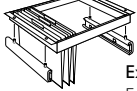
Interior fittings


- 

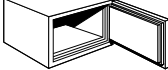
Shelf*
For 40: 20x375x285
For 60: 20x375x350
For 110–300: 20x475x376
For 350: 20x550x400
For 450: 20x550x430
- 

Extensible shelf
For 110–300: 44x455x361
For 350: 44x530x385
For 450: 44x530x415
- 

Extensible drawer
For 110–300: 100x455x336
For 350: 100x530x360
For 450: 100x530x390
- 

Lockable compartment
For 110–300: 335x467x358
For 350: 335x562x382
For 450: 335x562x412
- 

Extensible file frame
For 110–300: 50x455x361
For 350–450: 50x530x361
- 

Extensible tray
For 110–300: 60x455x361
For 350: 60x530x385
For 450: 60x530x415
- 

Data media insert, 60 Diskette
For 110–300: 364x475x364
For 350: 364x550x370
For 450: 364x550x400

*Shelf for hanging files available for size 110 and above.

Burglary protection: Capella safes have been tested by leading standards agency, the European Certification Board•Security Systems (ECB•S), and awarded the EN 1143-1 certification for burglary protection in Grades 0 and I.

Fire protection: Capella has also been tested and approved by ECB•S in accordance with the European norm EN 1047-1 for S 60 P and by SP in accordance with the Scandinavian norm, NT Fire 017 – 60 Paper. This certifies that the safes will provide one hour's fire protection for documents. In addition, Capella can be fitted with an insert, certified 60 Diskette by SP, for one hour's fire protection of sensitive data media.

Locks: As standard, Capella safes come equipped with Rosengrens' double-bitted, high-security key lock, RKL. RKL is a Class B lock, approved in accordance with the European norm, EN 1300. Capella can also be fitted with a Class B electronic lock as standard – Rosengrens' REL. REL allows multiple users and has time-delay and wrong-code functions. A combination lock or electronic lock is also available as a secondary lock option from model 110 upwards. The steel boltwork of the solid door has a three-way moving action. Both the locks and the boltwork are protected by reinforced anti-drilling plates and for added security, the boltwork has been fitted with an active re-locker.

Design: With Capella's innovative barrier material, not only is the safe protected against burglary and fire, but the total weight of the safe is significantly reduced, making it much lighter than other safes of the same class. This cuts both the time and costs involved in transportation and installation, and makes the safes suitable for floors which cannot support heavy loads. In addition, the safe door can be removed on delivery to further accelerate and simplify the installation process.

Capella has a modern, light-grey finish, suitable for most office environments, and the door handle and other furnishings have been ergonomically designed for ease of use. A full range of high-quality interior fittings is available to maximise use of storage space.

Quality and environmental management systems: Rosengrens Capella safes are manufactured in accordance with ISO 9001 for quality management systems and ISO 14001 for environmental management systems.

Rosengrens Product Guidelines: The construction of Capella safes has been tested and approved in accordance with Rosengrens Product Guidelines, based on the relevant European standards. The aim is to check user-friendliness, safety and product lifecycle as an assurance to customers that our products will live up to the highest expectations.